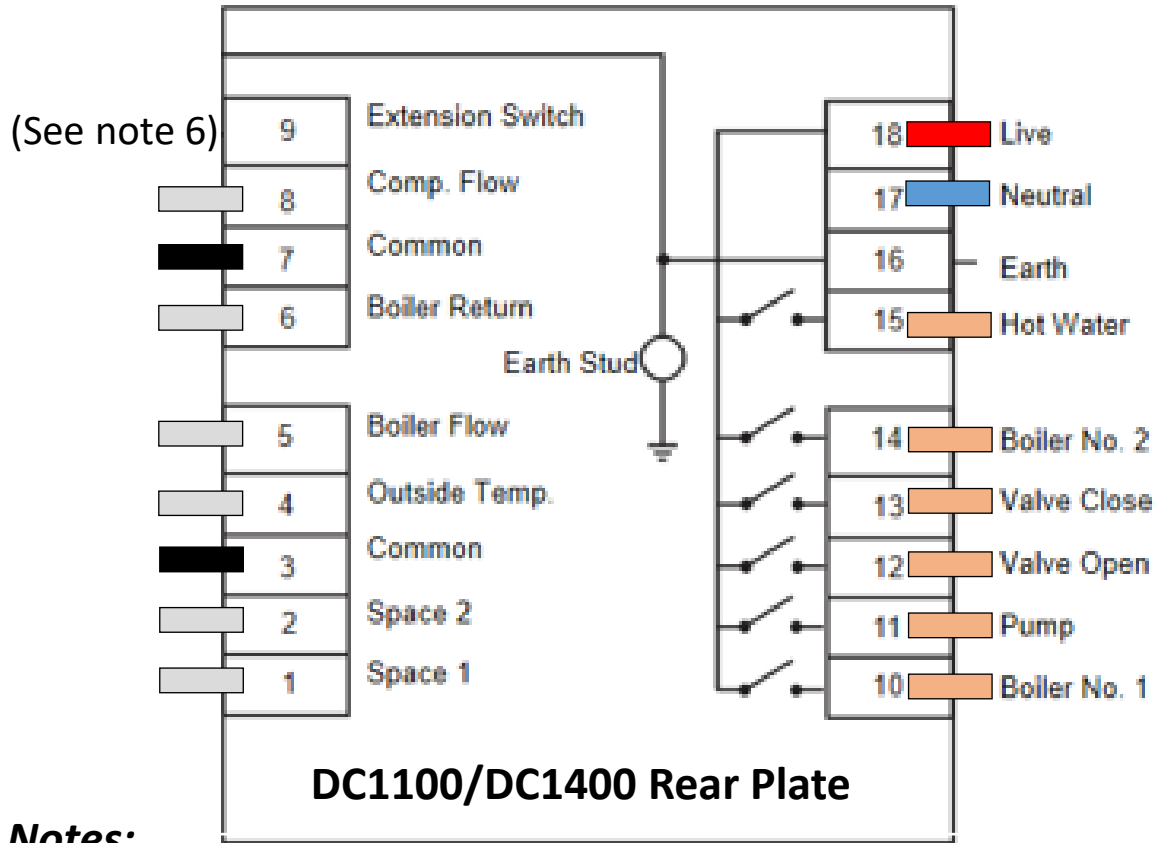
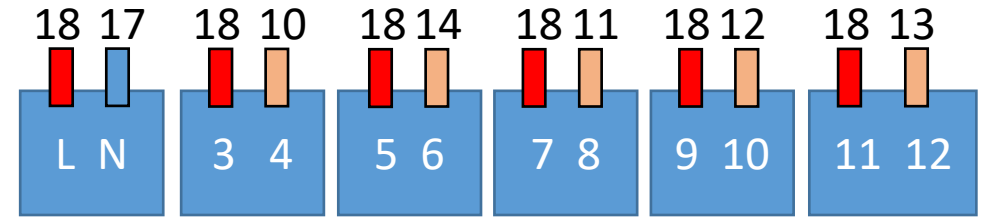


DC1100/DC1400 Replacement



Notes:

1. Remove base and undo Earth Stud. Identify Cables.
2. Connect Cable Screens to Earth cable 16
3. SYX Controller does not use cables 9 or 16
4. Link L █ 18 to provide switch feed power to relay outputs on SYX Controller : 3,5,7,9,11 and HWS Relay Common as required.
5. Responsibly dispose of old controller and waste materials.
6. DC1100/1400 remote override module not compatible. Call supplier to discuss options.



SYX Controller Connections

